

# HT6

## 6 in. "High Tensile" Steel Double Wall Trench Shield

### Purpose:

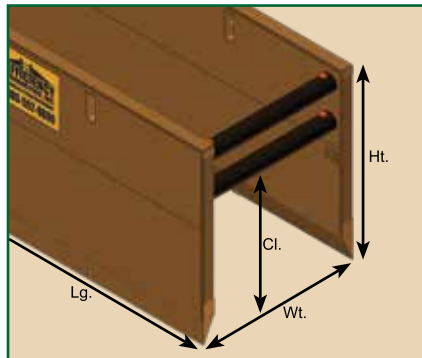
The HT6 is the most versatile steel trench shield available. It combines depth capability with narrow sidewalls, and is designed for medium range excavators.

### Common Applications:

- Deep Sanitary Sewer
- Water Main
- Storm Sewer

### Collar & Spreader Options:

- 7 in. collar pipe for 8" schedule 80 spreaders (standard)
- 3-pipe and mud plate
- 4-pipe independent
- 4-pipe connected
- 5-pipe independent
- 5-pipe connected
- Custom collar sizes available



### Features - Page 3

### Shield Options - Page 4

### Accessories - Page 5

#### Trench Shield Nomenclature

**HT6-620 (Model-Ht.Lg.)** =  
High Tensile trench shield  
with 6 in. sidewalls;  
6 ft. high, 20 ft. long

Others sizes available upon request

Depth Rating derived by dividing Shield Capacity (PSF) by soil type rating, i.e. 1,200 PSF / C-60 = 20 Ft.

#### HT6 6 in. Steel Double Wall Trench Shield

Model (Ft.) <i>HT6-Ht.Lg.</i>	Weight (Lbs.)	Pipe Cl. (In.)	Shield Capacity		Depth of Cut (Ft.) Soil Type		
			(PSF)	(kPa)	B	C-60	C-80
HT6-416	5,310	22	1,860	89	41	31	23
HT6-418	5,890	22	1,680	81	37	28	21
HT6-420	6,370	22	1,440	69	32	24	18
HT6-424	7,510	22	1,140	55	25	19	14
HT6-428	8,750	22	660	32	15	11	8
HT6-616	10,210	41	2,340	112	52	39	29
HT6-618	7,680	41	1,680	81	37	28	21
HT6-620	8,330	41	1,440	69	32	24	18
HT6-624	10,210	41	1,140	55	25	19	14
HT6-628	11,680	41	780	37	17	13	10
HT6-816	8,440	64	1,980	95	44	33	25
HT6-818	9,350	64	1,860	89	41	31	23
HT6-820	10,410	64	1,560	75	35	26	20
HT6-824	12,290	64	1,140	55	25	19	14
HT6-828	13,700	64	720	35	16	12	9
HT6-1016	10,380	84	1,680	81	37	28	21
HT6-1018	11,560	84	1,560	75	35	26	20
HT6-1020	12,900	84	1,440	69	32	24	18
HT6-1024	15,890	84	1,200	58	27	20	15
HT6-1028	18,460	84	720	35	16	12	9