

Build-A-Box™

Modular Aluminum Trench Shielding System

EFFICIENCY
PRODUCTION
America's Trench Box Builder™

Purpose:

The Build-A-Box™ Modular Aluminum Trench Shield System can be assembled in minutes to a wide variety of two, three, or four-sided configurations. This flexibility enables work crews to make on-the-spot design changes to meet job requirements in conditions ranging from light to extreme. Most systems are easily transported in a pick-up truck or trailer for quick application.

Common Applications:

- Sewer & Water Valves
- Hydrants & Taps
- Spot Repairs
- Gas and Electric Utility

Features:

- Pick-up truck transportable
- Can be hand-assembled in minutes
- Narrow, smooth aluminum sidewalls reduce dirt build-up
- Tongue and groove design
- Stackable with XLAP™ Aluminum Trench Shield
- Foam-filled
- Lifting Lugs
- Professional Engineer design and depth certification

Options:

- T-connection cut-outs
- Sheeting Guide Frame
- Sectional or Full Length corner posts
- 3-Way T-Posts

Spreader Options:

- Telescoping Adjustable Spreaders
- Height Adapter/Spreader Arches



2-Sided Build-A-Box



3-Sided Build-A-Box



4-Sided Build-A-Box



Build-A-Box Octagon Box

Build-A-Box™

Modular Aluminum Trench Shielding System

Panel Selection Chart			Shield Cap. (PSF)	Depth of Cut (ft) - Soil Type		
Model (ft.)	Item	Weight (Lbs.)		B	C-60	C-80
BAB-2X2	7529	34	2,400	53	40	30
BAB-2X3	7530	46	2,400	53	40	30
BAB-2X4	7531	60	2,400	53	40	30
BAB-2X5	7532	71	2,400	53	40	30
BAB-2X6	7533	84	2,400	53	40	30
BAB-2X7	7534	99	1,740	39	29	22
BAB-2X8	7535	110	1,440	32	24	18
BAB-2X10	7536	138	960	21	16	12
BAB-2X12	7537	165	780	17	13	10
BAB-2X14	7538	190	600	13	10	8
BAB-2X16	7539	210	480	11	8	6

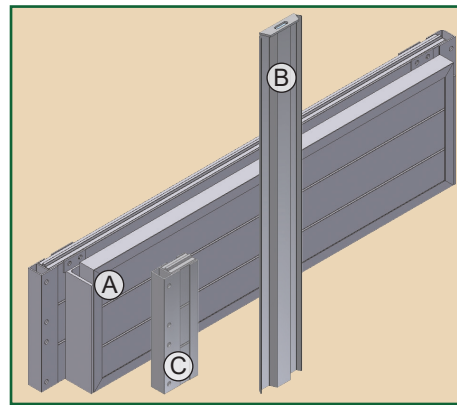
Corner End Posts			
Model	Length (In.)	Item	Weight (Lbs.)
BAB-C2-2	24	7520	18
BAB-C2-4	48	7521	36
BAB-C2-6	72	7522	62.4
BAB-C2-8	96	7523	86
BAB-C2-10	120	7524	108
BAB-C2-12	144	7545	100

Corner End Posts			
Model	Length (In.)	Item	Weight (Lbs.)
BAB-C3-2	24	7525	24
BAB-C3-4	48	7526	49
BAB-C3-6	72	7527	70
BAB-C3-8	96	7528	91
BAB-C3-10	120	7546	116

BAB Sheeting Guide Frames		
Model	Length (In.)	Weight (Lbs.)
BBAC-GF-4	48	118
BBAC-GF-6	72	166
BBAC-GF-8	96	215
BBAC-GF-10	120	300
BBAC-GF-12	144	385

B Aluminum Sheets (with push caps)		
Model	Length (In.)	Weight (Lbs.)
BBAC-GF-SHEET-6	72	30
BBAC-GF-SHEET-8	96	35

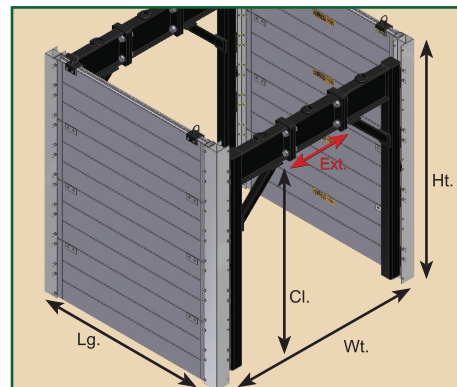
C FILLER PANEL		
Model	Length (In.)	Weight (Lbs.)
	8	35



4-Way Connection Posts		
Model	Length (In.)	Weight (Lbs.)
BBC4-24	24	35
BBC4-48	48	70
BBC4-72	72	104
BBC4-96	96	139
BBC4-120	120	174
BBC4-144	144	209

Spreaders Single Adj. Square Tube		
Model	Item	Weight (Lbs.)
XL-2436-1	7514	35
XL-3660-1	7515	47
XL-4872-1	7516	61
XL-6096-1	7570	76
XL-72120-1	7518	110
XL-84144-1	7519	132

Arch Spreaders and Extensions			
Model	Description	Weight (Lbs.)	Depth of Cut (ft) C-60 - Soil Type
BBAC-ARCH 64	72" (high) x 48"	620	14
BBAC-EXT24	24" Horiz. Extensions	110	14
BBAC-EXT36	36" Horiz. Extensions	140	14
BBAC-EXT48	48" Horiz. Extensions	170	14
BBAC-EXT60	60" Horiz. Extensions	200	14
BBAC-EXT72	72" Horiz. Extensions	230	14
BBAC-EXT84	84" Horiz. Extensions	260	14



Build-A-Box with Spreader Arch

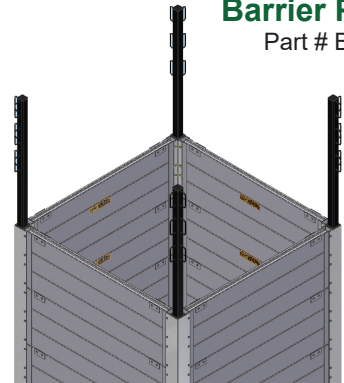
Accessories



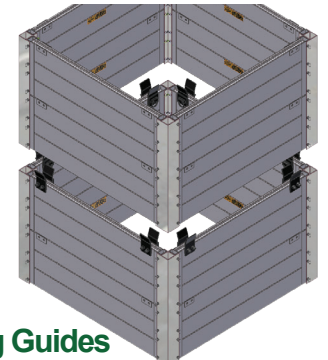
Height Adapter/Spreader Arch
Part # HABAB72-HEIGHT ADAPTER



Barrier Posts
Part # BAB-BP



Aluminum Sheets
Part # BAB-ALUM-SHEETS
Sheets 6 and 8 ft. lengths



Stacking Guides
Part # BAB-STACKING GUIDE

Sheeting Guide Frame
Part # BAB-SGF

Wheel Kit
Part # BBAC-WK



Guard Rail
Part # GR-4FT-FIXED
4, 6, 10 ft. lengths

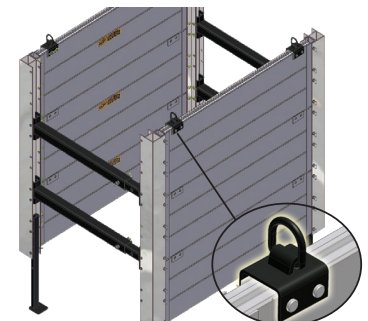


Ladder Bracket
Part # BBAC-LADDER-BK

Guard Rail Adpt
Part # GR-BAB-ADP

Adjustable Legs
Part # BAB-24-LEGS

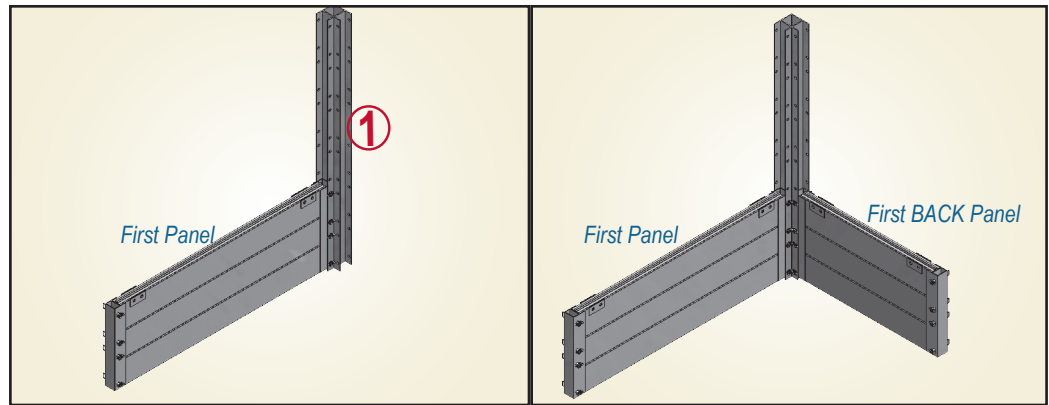
Lifting Lug
Part # BAB-LE



Assembly

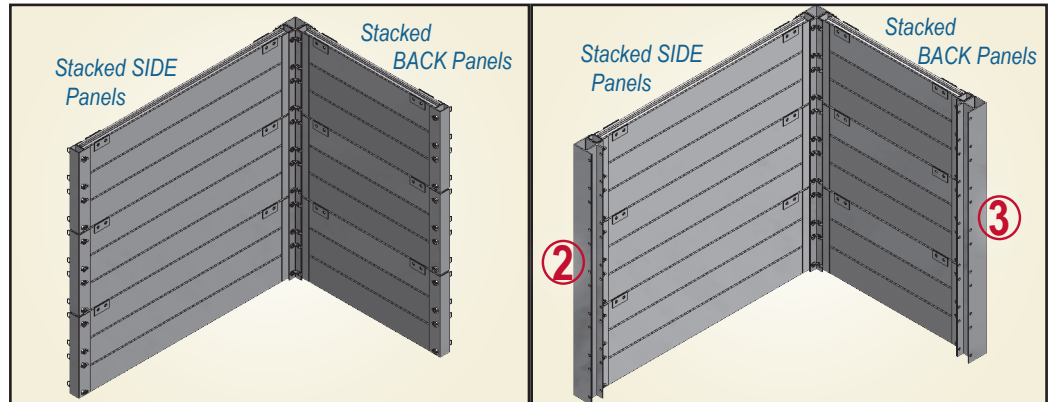
Step 1

Attach 1st corner post to first panel and secure with pins and keepers.*
Set the BACK panel for 3 or 4-sided system and secure with pins and keepers in all matching holes.*



Step 2

Stack the SIDE and BACK panels to desired height before installing the 2nd and 3rd corner posts. Ensure that all matching holes have a pin and keeper.*

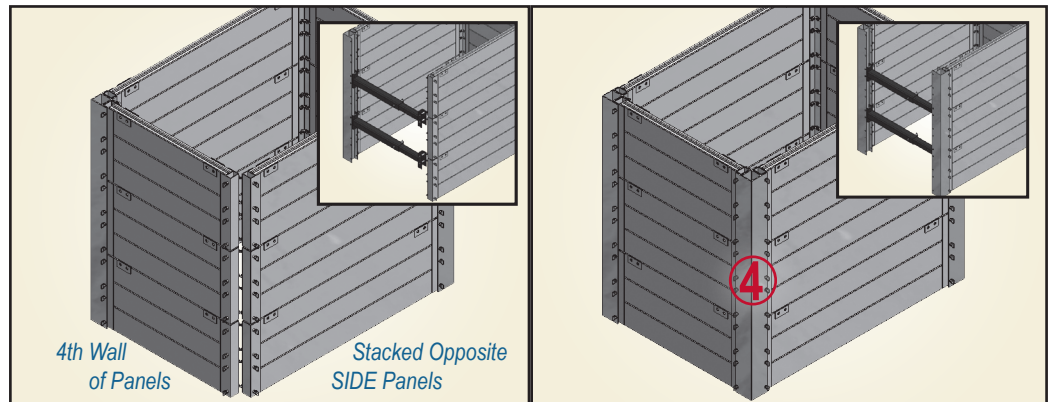


Step 3

Stack opposite SIDE panels to desired height, then add either a 4th wall of panels for a 4-sided system; or a set of at least two spreaders for a 3-sided system.

Step 4

The 4th corner post can then be slid into place. All matching holes require a pin and keeper.*
Note: A pry-bar may be needed to align posts with holes.



* Always install pins with handle on the outside.

For **Disassembly**: Do above steps in reverse order. Remove pins & keeps one at a time from one spreader, post, or panel. DO NOT REMOVE ALL PINS AND KEEPERS AT ONE TIME.

NOTES

1. Assemble on level ground.
2. Lift with factory supplied lift eyes.
3. All matching holes must have a pin and keeper.
4. System must be used in accordance to manufactures tabulated data.
5. Bottom panel may be omitted, allowing 2 feet open clearance, only if there is no possible loss of soil from behind or below the bottom of the shield.



Efficiency Production

685 Hull Rd.
Mason, MI 48854
Phone: 800-552-8800
Fax: (517) 676-0375
www.efficiencyproduction.com

