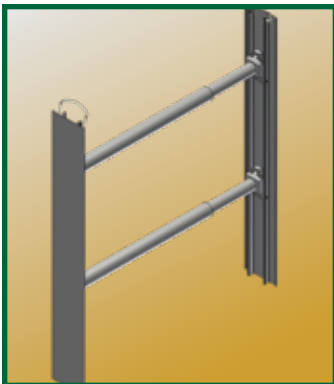
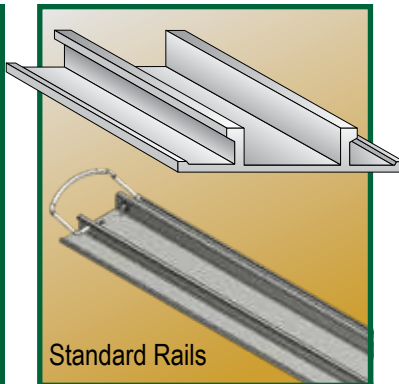


# Shoring Specifications

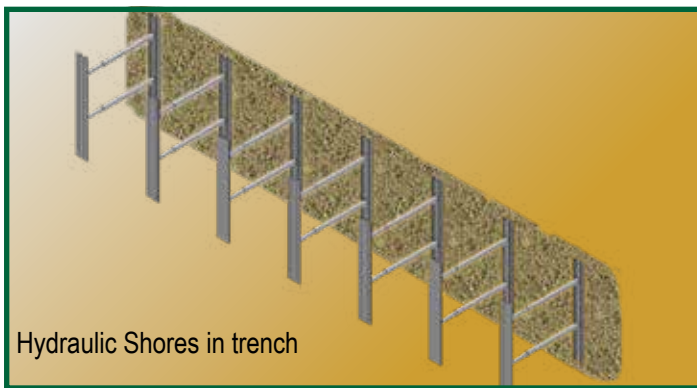
## Six sizes of STANDARD vertical shores



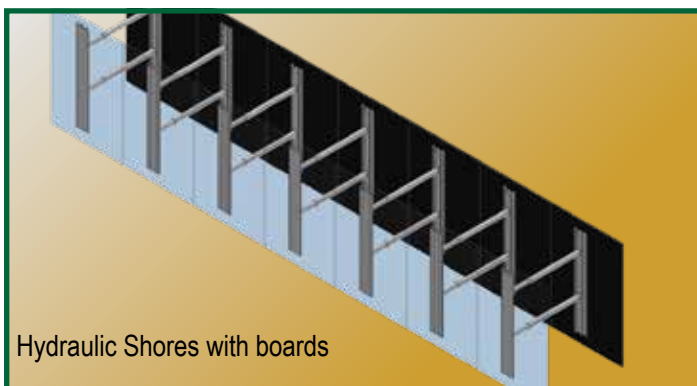
Hydraulic Vertical Shore with two cylinders



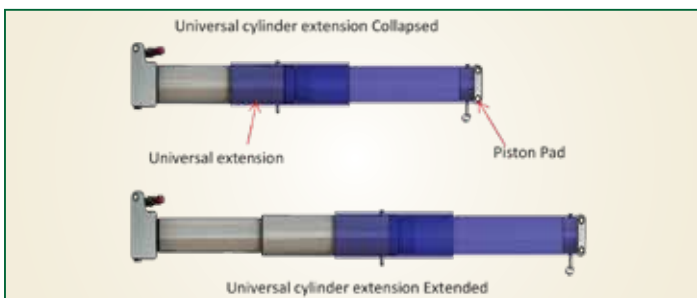
Standard Rails



Hydraulic Shores in trench



Hydraulic Shores with boards



Vertical Shore Rails - Standard			
STANDARD Rail (Lg. x CB)	Cross Brace Width (In.)	Cylinders	Weight (Lbs.)
S-1.5X1727	17 - 27	1	20
S-1.5X2236	22 - 36	1	23
S-1.5X2846	28 - 46	1	25
S-1.5X3455	34 - 55	1	28
S-1.5X4064	40 - 64	1	31
S-1.5X5288	52 - 88	1	36
S-2X1727	17 - 27	1	22
S-2X2236	22 - 36	1	24
S-2X2846	28 - 46	1	28
S-2X3455	34 - 55	1	30
S-2X4064	40 - 64	1	31
S-2X5288	52 - 88	1	38
S-3.5X1727	17 - 27	2	41
S-3.5X2236	22 - 36	2	50
S-3.5X2846	28 - 46	2	55
S-3.5X3455	34 - 55	2	60
S-3.5X4064	40 - 64	2	68
S-3.5X5288	52 - 88	2	77
S-5X1727	17 - 27	2	55
S-5X2236	22 - 36	2	60
S-5X2846	28 - 46	2	65
S-5X3455	34 - 55	2	70
S-5X4064	40 - 64	2	78
S-5X5288	52 - 88	2	87
S-7X1727	17 - 27	2	65
S-7X2236	22 - 36	2	70
S-7X2846	28 - 46	2	75
S-7X3455	34 - 55	2	80
S-7X4064	40 - 64	2	88
S-7X5288	52 - 88	2	97
S-9X1727	17 - 27	3	84
S-9X2236	22 - 36	3	90
S-9X2846	28 - 46	3	102
S-9X3455	34 - 55	3	108
S-9X4064	40 - 64	3	120
S-9X5288	52 - 88	3	132

Universal One-Piece Extension		
Part No.	Length (In.)	Weight (Lbs.)
HS-UNIVEX-12	12	6
HS-UNIVEX-18	18	7
HS-UNIVEX-24	24	8
HS-UNIVEX-30	30	9
HS-UNIVEX-36	36	11
HS-UNIVEX-42	42	12
HS-UNIVEX-48	48	13
HS-UNIVEX-56	56	15