

HT8

8 in. “High Tensile” Steel Double Wall Trench Shield

Purpose:

The HT8 is an excellent choice for deeper, more demanding work. The 8 in. double wall construction minimizes sidewall deflection and provides extended shield durability.

Common Applications:

- Deep Sanitary Sewer
- Water Main
- Storm Sewer
- Long Pipe

Collar & Spreader Options:

- 7 in. collar pipe for 8” schedule 80 spreaders (standard)
- 3-pipe and mud plate
- 4-pipe independent
- 4-pipe connected
- 5-pipe independent
- 5-pipe connected
- Custom collar sizes available

Features - Page 3

Shield Options - Page 4

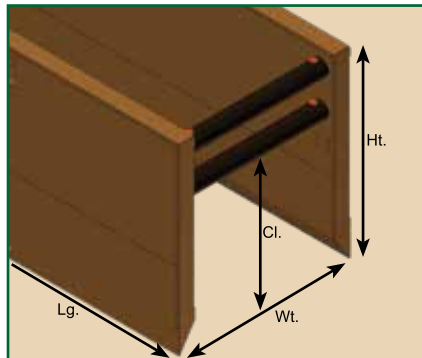
Accessories - Page 5

Trench Shield Nomenclature

HT8-620 (Model-Ht.Lg.) =
High Tensile trench shield
with 8 in. sidewalls;
6 ft. high, 20 ft. long

Others sizes available upon request

Depth Rating derived by dividing Shield Capacity (PSF) by soil type rating, i.e. 1,200 PSF / C-60 = 20 Ft.



HT8 8 in. Steel Double Wall Trench Shield

Model (Ft.) <i>HT8-Ht.Lg.</i>	Weight (Lbs.)	Pipe Cl. (In.)	Shield Capacity		Depth of Cut (Ft.) Soil Type		
			(PSF)	(kPa)	B	C-60	C-80
HT8-416	6,150	22	2,580	124	57	43	32
HT8-420	7,120	22	1,800	86	40	30	22
HT8-424	8,360	22	1,260	60	28	21	16
HT8-430	10,080	22	840	40	19	14	11
HT8-432	10,750	22	720	35	16	12	9
HT8-616	7,930	41	2,640	127	59	44	33
HT8-620	9,210	41	1,800	86	40	30	22
HT8-624	11,080	41	1,260	60	28	21	16
HT8-630	13,560	41	1,020	49	23	17	13
HT8-632	14,400	41	780	40	17	13	10
HT8-816	9,150	64	2,580	124	57	43	32
HT8-820	10,960	64	2,100	100	46	35	26
HT8-824	13,420	64	1,500	72	33	25	19
HT8-830	15,930	64	840	40	19	14	11
HT8-832	16,950	64	720	35	16	12	9
HT8-1016	12,480	84	2,220	107	49	37	28
HT8-1020	14,740	84	1,920	92	43	32	24
HT8-1024	16,270	84	1,680	81	37	28	21
HT8-1030	20,570	84	1,020	49	23	17	13
HT8-1032	22,000	84	720	35	16	12	9