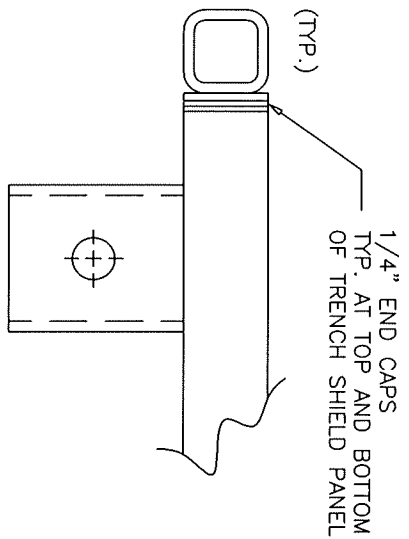
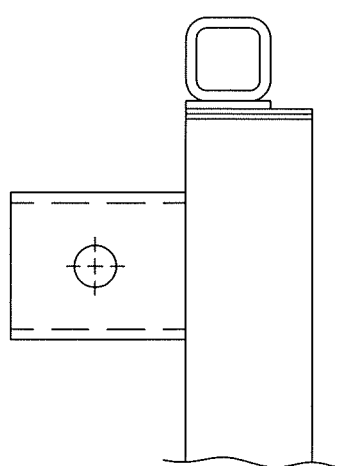


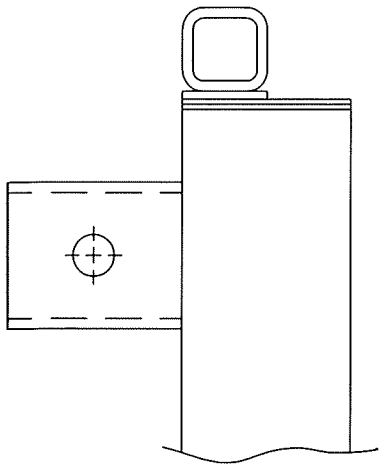
3" WALL SHIELDS



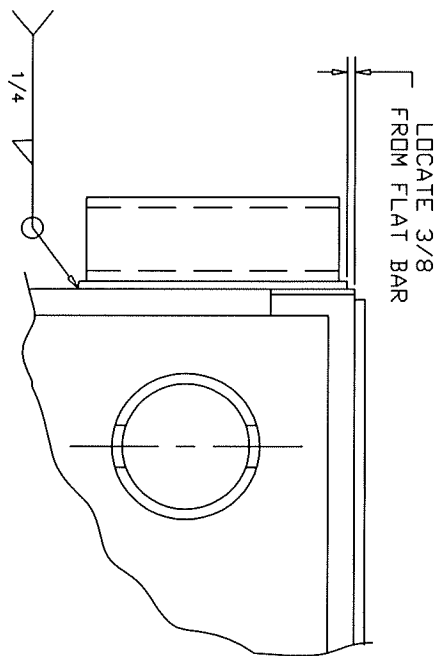
4" WALL SHIELDS



6" WALL SHIELDS



8" WALL SHIELDS

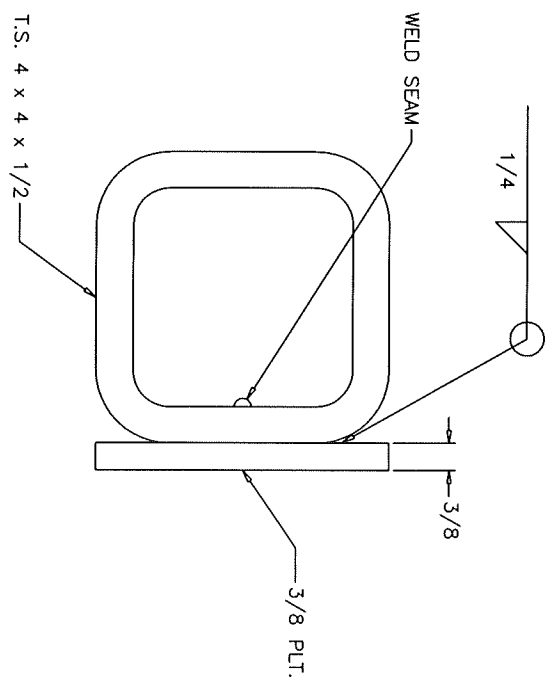
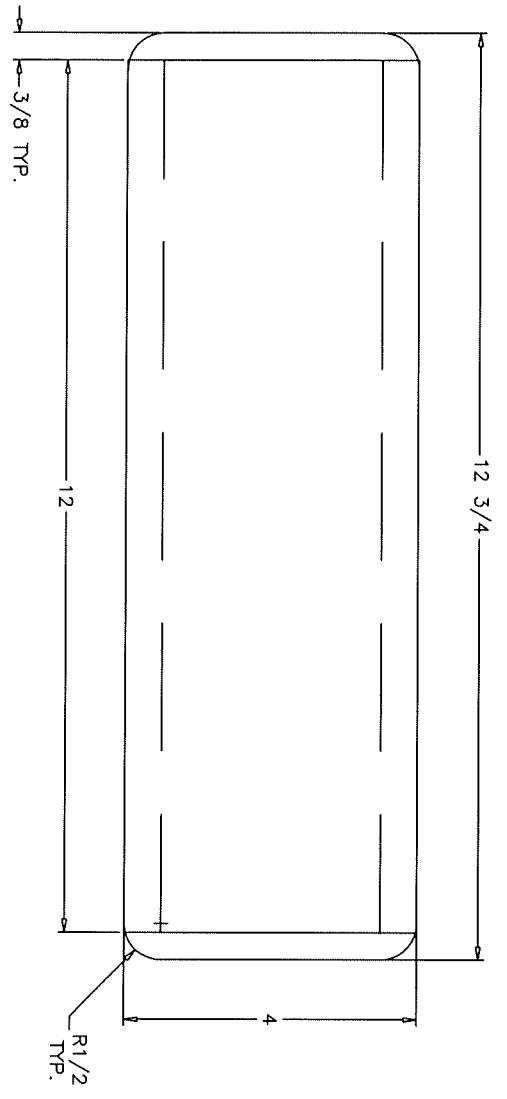
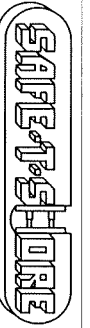


"TYPICAL VERTICAL PLACEMENT OF TOP POCKET"

NOTE: STACKING POCKET SITS FLUSH WITH INSIDE FACE OF END POST AS SHOWN.

REMOVE PAINT AND OTHER WELD IMPURITIES IN ALL DIRECTIONS FOR 1/2" FROM THE ANTICIPATED FINISHED WELD.

<b>EFFICIENCY PRODUCTION INC.</b>	
685 HULL RD. MASON MI. 48854 Ph. (517)-676-8800 . FAX (517) 676-0373	
DATE	3-21-06
DWG. #	306-13
DRAWN BY	J REMACLE
PSF	= N/A
S.O.#	N/A
PAGE:	
<b>STS/MSP RENTS</b>	
SPECIAL 12" STACK POCKETS & SPECIAL LONG TIONS FOR 4 SIDED CONFIGURATIO. : 8' HIGH SHIELDS	



**EFFICIENCY PRODUCTION INC.**

685 HULL RD. MASON MI. 48854 Ph. (517)-676-8800 . FAX (517) 676-0373

DATE	3-21-06	STS/MSP RENTS
DWG. #	306-13	SPECIAL 12" STACK POCKETS
DRAWN BY	J REMACLE	8 SPECIAL LOCATIONS FOR 4 SIDED
PSF=N/A		CONFIGURATION 8' HIGH SHIELDS
S.O.#	N/A	PAGE: