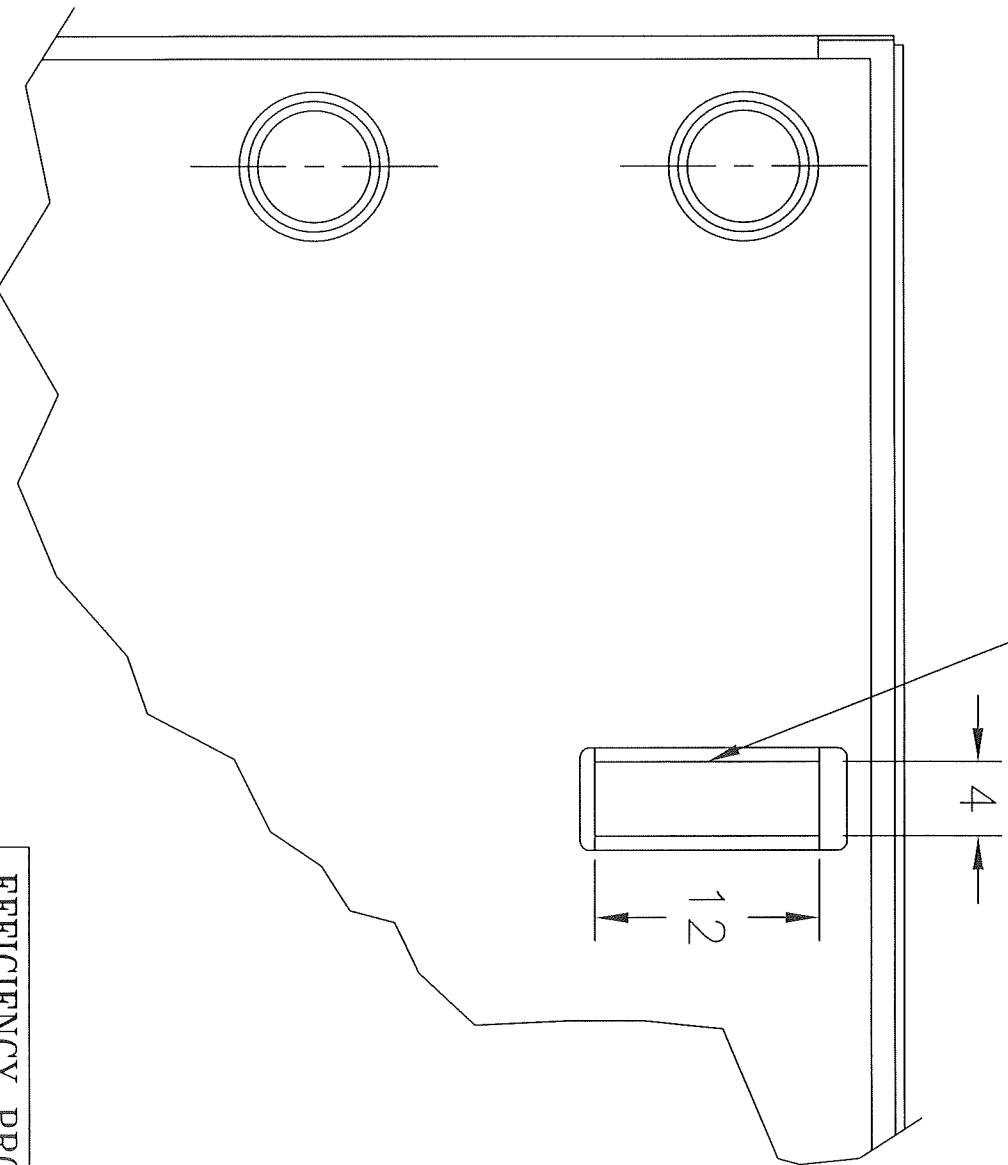




CLEAN OUT EXISTING LIFT-LUG HOLE

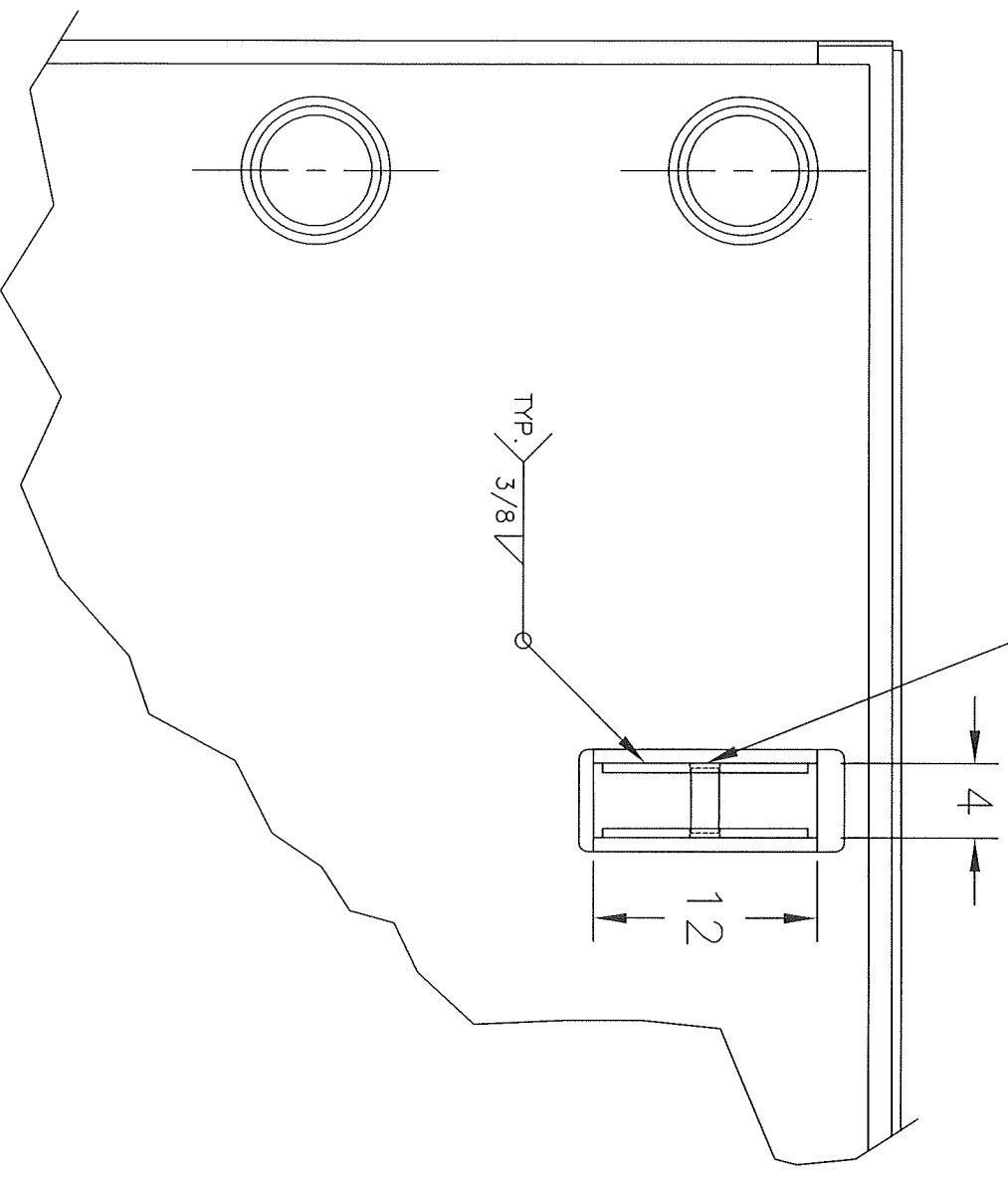


STEP-1

EFFICIENCY PRODUCTION INC.	
685 HULL RD. MASON MI. 48854 Ph. (517)-676-8800 Fax (517) 676-0373	
DATE	2-20-06
DWG. #	LIFT-LUG REPAIR
DRAWN BY	J REMACLE
PSF	N/A
S.O.#	N/A
PAGE:	
SHIELD REPAIR	
GENERAL SHIELD	
LIFT-LUG	
REPAIR PROCEDURES	

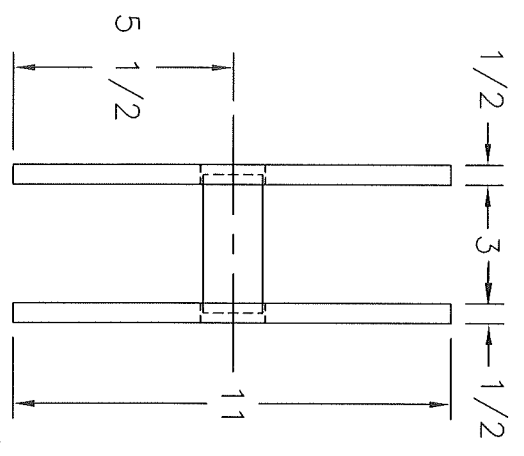


WELD IN NEW LIFT-ASSEMBLY

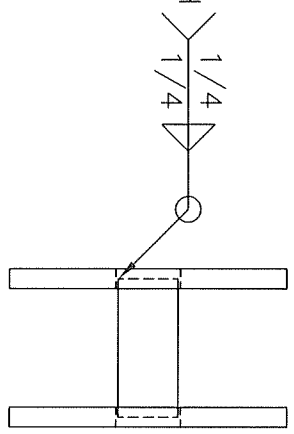


STEP-2

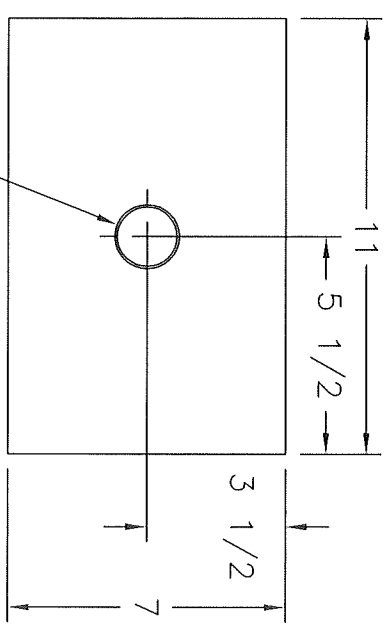
EFFICIENCY PRODUCTION INC.	
685 HULL RD. MASON MI. 48854 Ph. (517)-676-8800 Fax (517) 676-0373	
DATE	2-20-06
DWG. #	LIFT-LUG REPAIR
DRAWN BY	J REMACLE
PSF	= N/A
S.O.#	N/A
PAGE:	
SHIELD REPAIR	
GENERAL SHIELD	
LIFT-LUG	
REPAIR PROCEDURES	



GRIND OUTSIDE FLUSH



Ø1 5/8 HOLE FOR
1 1/2" H.R. ROUND BAR
3 1/2" LONG



HT8 REPLACEMENT LIFT-LUG DETAIL

(PART# 7105113)

EFFICIENCY PRODUCTION INC.	
685 HULL RD. MASON MI. 48854 Ph. (517)-676-8800 Fax (517) 676-0373	
DATE	2-20-06
DWG. #	LIFT-LUG REPAIR
DRAWN BY	J REMACLE
PSF=N/A	
S.O.#	N/A
PAGE:	
SHIELD REPAIR	GENERAL SHIELD
LIFT-LUG	REPAIR PROCEDURES